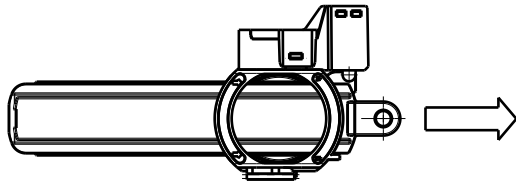


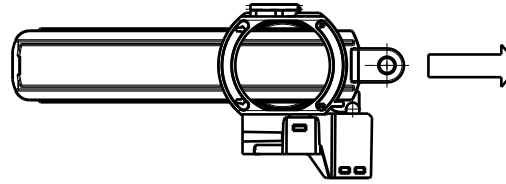
TECHNICAL DATA FOR REFERENCE ONLY!!

UNIT LINEARDAMPER WITH SWITCH POS. A
30661-9-xx-03x

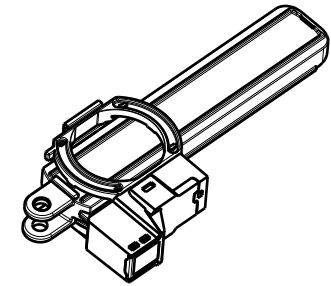


DIRECTION OF DAMPING

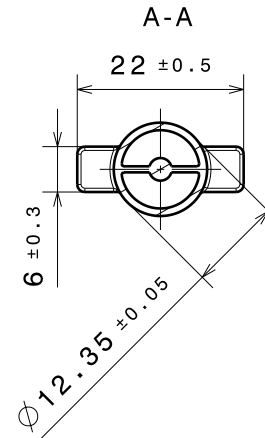
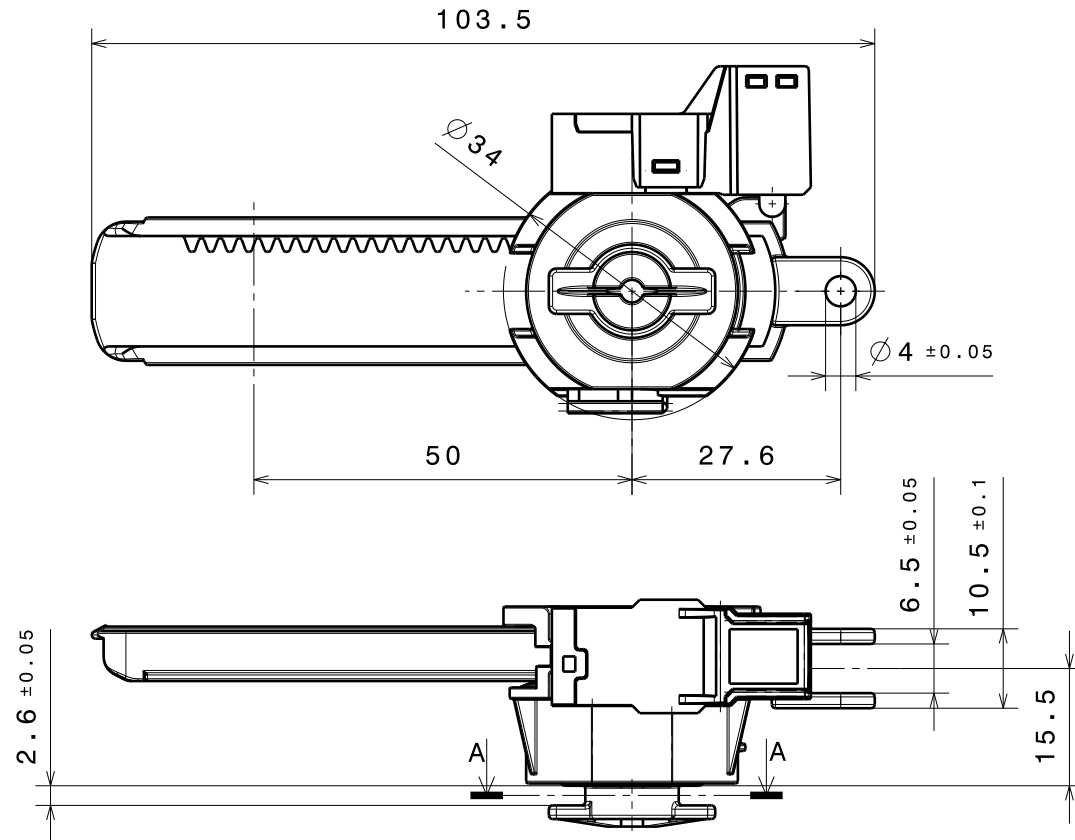
UNIT LINEARDAMPER WITH SWITCH POS. B
30662-9-xx-03x



DIRECTION OF DAMPING



Note: Rack is available in different lengths upon request.



Torque at 23°C and 20 rpm.	Torque ID
12.00 ± 2.00 Ncm	M
9.00 ± 1.50 Ncm	F
7.00 ± 1.20 Ncm	L
5.40 ± 0.90 Ncm	Z
4.00 ± 0.70 Ncm	E
3.00 ± 0.60 Ncm	S
2.40 ± 0.50 Ncm	C
2.20 ± 0.50 Ncm	Y

LINEAR DAMPER
1 way
30661 / 62
PART NO. 30661/62-9-0X-03X