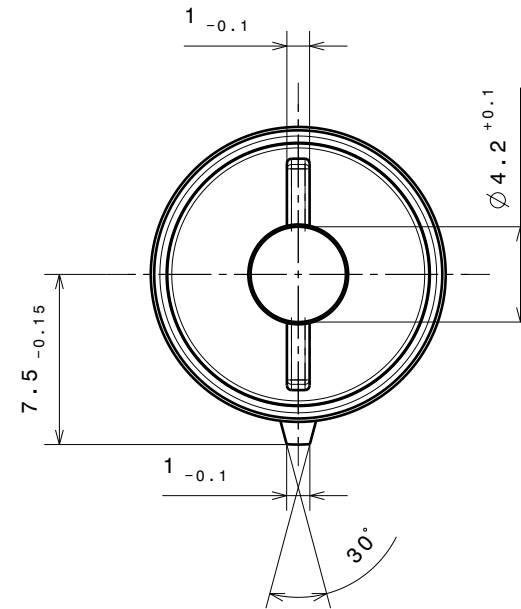
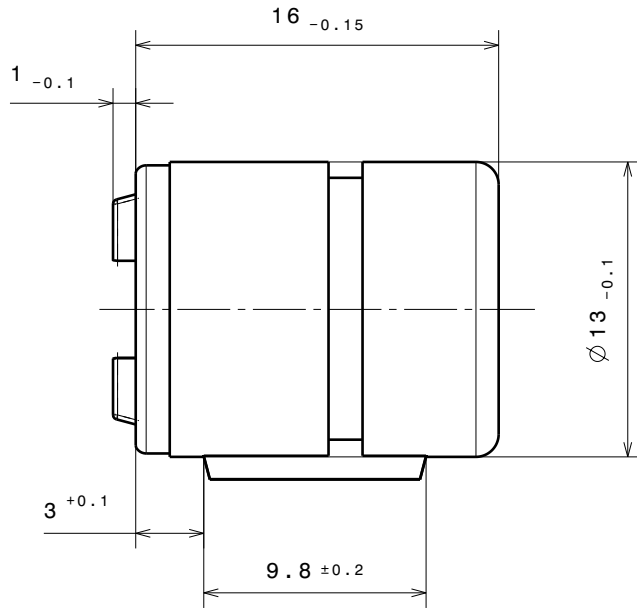


TECHNICAL DATA FOR REFERENCE ONLY!!



Torque at RT and 20 rpm.

**8.0 ± 1.2 Ncm**

16 mm HINGE DAMPER  
1 mm RIB

**30390**

PART NO. 30390-9-0X-00x